

15

1503 03

Jack connectors

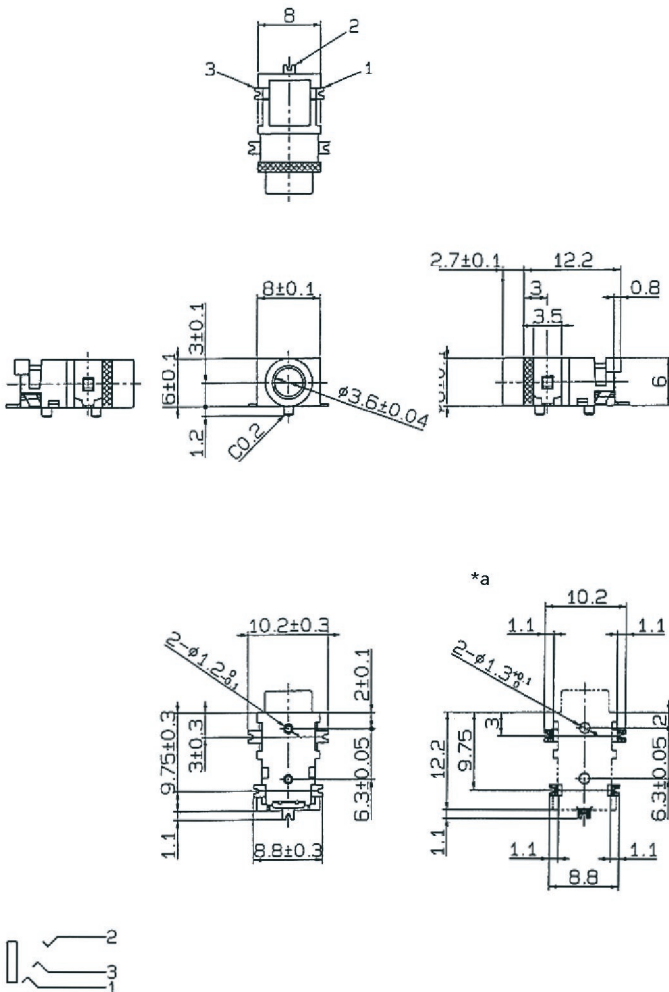


Jack chassis socket acc. to JIS C 6560 JC35J3A, 3.5 mm, 3 poles/stereo, angular version, for printed circuit boards, surface mounting technology (SMT)

State: Active

15

1503 03



Environmental conditions

Temperature range -20 °C/+70 °C

Materials

Insulating body PA, HB according to UL94
Contact spring Cu alloy, tin-plated

Mechanical data

Mating cycles ≥ 5000
Insertion force 5–20 N
Withdrawal force 4–20 N

Electrical data (at T_{amb} 20 °C)

Contact resistance ≤ 30 mΩ
Rated current 1 A
Rated voltage 34 V AC/DC
Rated impulse voltage 500 V/60 s
Insulation resistance ≥ 100 MΩ

Associated products

Counterparts
 ☞ 1532 07 ☞ KLS 40 ☞ KLS 44
 ☞ WKLS 40

*a printed circuit board layout, solder side view

15

1503 03

Designation	Pole Number	PU (Pieces)	MDQ (Pieces)
1503 03	3	500	500
1503 03 R	3	800	800

Packaging:

in bulk, in a cardboard box or a plastic bag (1503 03)
on reel (1503 03 R)